



Type needle valves with hard seat are designed for use on applications requiring complete isolation or throttling of the media. The conical metal tip (Stem Type CT) press fitted ensures perfect alignment for positive bubble tight shut-off. Available with end connections in sizes from 1/8" to 1" and a wide choice in connections of female screwed, male screwed, male to female screwed or socket weld.

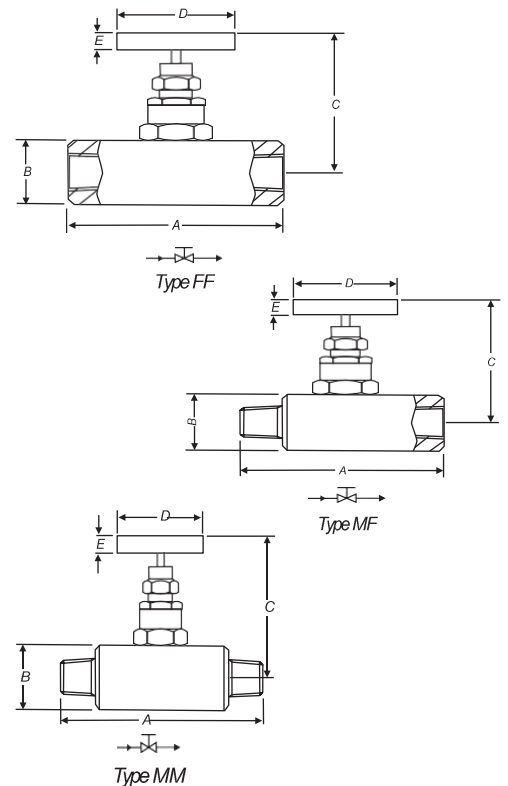
Applications

- High pressure line shut off
- Instrument isolation
- Drain valve
- Liquid and vapor service

Technical specifications

| | |
|-------------------|--|
| Design Pressure | : 6000 PSI |
| Max temp. | : 240°C |
| Material | : Stainless Steel |
| Stem | : (Type CT) Conical tip |
| Gland Packing | : PTFE |
| Stem packing area | : Burnished finish for Smooth valve operation. |
| Safety Feature | : Back seating for preventing stem blowout. |

| Size | Type | Length A | Width B | Height (open) Max., C | Handle Ha D | ndle OD E |
|------|------|----------|---------|-----------------------|-------------|-----------|
| 1/8" | FxF | 50 | 22 | 55 | 40 | 10 |
| | MxF | 55 | 22 | 55 | 40 | 10 |
| | MxM | 60 | 22 | 55 | 40 | 10 |
| 1/4" | FxF | 55 | 25 | 65 | 40 | 10 |
| | MxF | 65 | 25 | 65 | 40 | 10 |
| | MxM | 60 | 25 | 65 | 40 | 10 |
| 3/8" | FxF | 55 | 25 | 65 | 40 | 10 |
| | MxF | 65 | 25 | 65 | 40 | 10 |
| | MxM | 65 | 25 | 65 | 40 | 10 |
| 1/2" | FxF | 65 | 32 | 86.6 | 55 | 12.7 |
| | MxF | 75 | 32 | 86.6 | 55 | 12.7 |
| | MxM | 70 | 32 | 86.6 | 55 | 12.7 |
| 3/4" | FxF | 70 | 38 | 88.6 | 55 | 12.7 |
| | MxF | 75 | 38 | 88.6 | 55 | 12.7 |
| | MxM | 80 | 38 | 86.6 | 55 | 12.7 |
| 1" | FxF | 90 | 45 | 98 | 70 | 12 |
| | MxF | 105 | 45 | 98 | 70 | 12 |
| | MxM | 105 | 45 | 98 | 70 | 12 |



Notes : • Drawings are not to scale.
• All Dimensions are in mm.

Optional :

NV 10 - High pressure valves for 10,000 psi pressure
NV 20 - High pressure valves for 20,000 psi pressure
All dimensions are in mm

Note : Other combination sizes available on request.
Please contact us for more details.

How To Order

| Body Material | Stem Packing | Size = P x P1 | Connections (inlet x outlet) | Threads |
|------------------|--------------|------------------|------------------------------|-------------------------------|
| C = Carbon Steel | P = PTFE | 22 = 1/8" x 1/8" | 88 = 1" x 1" | N = NPT (ANSI B 1.20.1) |
| S = SS 316 | G = Grafoil | 24 = 1/4" x 1/4" | FF = Female x Female | P = BSPP (BS 2779, ISO 228/1) |
| S4 = SS 304 | | 33 = 3/8" x 3/8" | MF = Male x Female | B = BSPT (BS 21, ISO 711) |
| SL = SS 316L | | 44 = 1/2" x 1/2" | MM = Male x Male | |
| M4 = Monel 400 | | 66 = 3/4" x 3/4" | SW = Socket Weld | |
| M5 = Monel 500 | | | | |
| H = Hastelloy C | | | | |
| B = Brass | | | | |

Options

- TF : Compliance to NACE standard
- SG : For Oxygen service, valves are supplied cleaned, degreased and suitably packed.
- GH : Material test certificate
- GO : Hydro test certificate

* Material test certificate will be provided for wetted parts only with chemical composition testing. For others, please consult factory.

Example

To place an order simply refer to the codes in the table.

Valve Type :Body Material + Stem Packing + Size +Connections + Threads + Options

NV4 + S + P + 44 + FF + N = NV4 . S . P . 44 . FF . N . Options

Standard Valve Materials

| Valve | Body | Bonnet | Stem SS | Tip |
|-----------------|---------|---------|---------|--------|
| Carbon Steel | CS A105 | CS A105 | 304 SS | SS 304 |
| Stainless Steel | SS 316 | SS 316 | 316 | SS 316 |
| Monel | Monel | Monel | Monel | Monel |

Note : Other combination sizes available on request.
Please contact us for more details.