



Needle Valves with compression ends designed for use in general applications requiring complete isolation and throttling of media offered with our designed twin ferrules and nuts are available in imperial and metric sizes. Specially designed conical metal tip press fitted ensures perfect alignment for positive bubble tight shut-off. Available with tube end connections in sizes from 6 mm to 12 mm and 1/4" to 1/2" tube or one end screwed to male or female.

Applications

- Instrument isolation
- Media throttling
- Liquid and vapor service

Technical Specifications

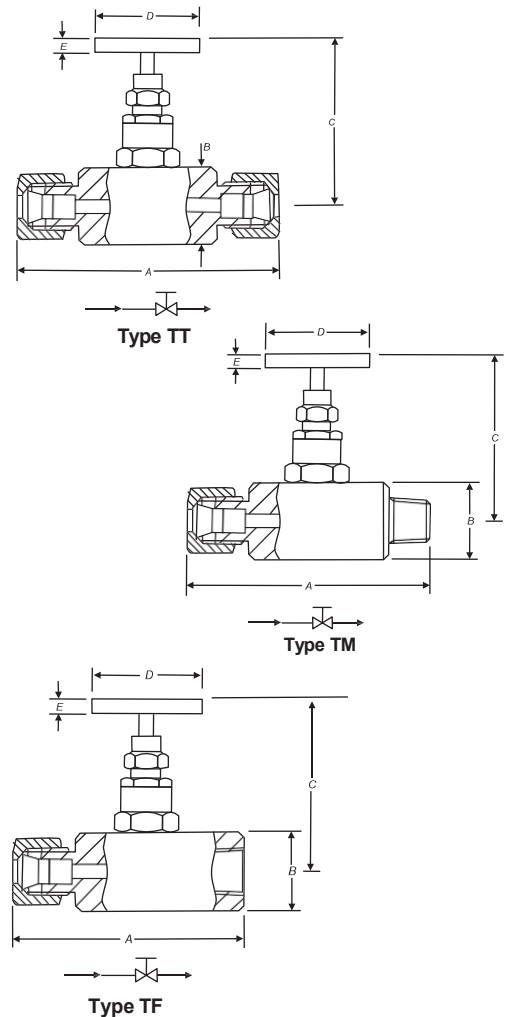
Design Pressure : 6000 PSI
 Max temp. : 240°C
 Material : Stainless Steel
 Stem : (CT) Conical tip
 Gland Packing : PTFE
 Stem packing area : Burnished finish for smooth valve operation.
 Safety Feature : Back seating for preventing stem blowout.

Type (TT)	Length Width		Height (open) Max., C	Handle D	Handle OD E
	A	B			
6M x 6M	65	25	63	40	10
8M x 8M	65	25	63	40	10
10M x 10M	65	25	63	40	10
12M x 12M	65	32	83.6	50	12
Type (TF)					
1/4" OD x 1/4" NPTF	65	25	63	40	10
3/8" OD x 3/8" NPTF	65	25	63	40	10
1/2" OD x 1/2" NPTF	65	32	83.6	50	12
Type (TM)					
1/4" OD or 6M x 1/4" NPTM	65	25	63	40	10
8M x 1/4" NPTM	65	25	63	40	10
3/8" OD or 10M x 3/8" NPTM	65	25	63	40	10
1/2" OD or 12M x 1/2" NPTM	72	32	83.6	55	12.7

All dimensions are in mm.

Note : Other combination sizes available on request.

Please contact us for more details.



Notes : • Drawings are not to scale.
 • All Dimensions are in mm.

How To Order

Body Material	Stem Packing	Size = P x P1	Connections (inlet x outlet)	Threads
C = Carbon Steel	P = PTFE	6M = 6 x 6mm OD	TT = Tube x Tube	N = NPT (ANSI B 1.20.1)
S = SS 316	G = Grafoil	8M = 8 x 8mm OD	TM = Tube x Male	P = BSPP (BS 2779, ISO 228/1)
S4 = SS 304		10M = 10 x 10mm OD	TF = Tube x Female	B = BSPT (BS 21, ISO 7/1)
SL = SS 316L		12M = 12 x 12mm OD	MT = Male x Tube	
M4 = Monel 400		4T = 1/4" x 1/4" OD	FT = Female x Tube	
M5 = Monel 500		6T = 3/8" x 3/8" OD		
H = Hastelloy C		8T = 1/2" x 1/2" OD		
B = Brass		4 = 1/4" OD x 1/4" thread		
		6 = 3/8" OD x 3/8" thread		
		8 = 1/2" OD x 1/2" thread		

Options

TF : Compliance to NACE standard

SG : For Oxygen service, valves are supplied cleaned, degreased and suitably packed.

GH : Material test certificate*

GO : Hydro test certificate

* Material test certificate will be provided for wetted parts only with chemical composition testing. For others, please consult factory.

Example

To place an order simply refer to the codes in the table.

Valve Type : Body Material + Stem Packing + Size + Connections + Threads + Options

CET + S + P + 8T + TT = CET . S . P . 8T . TT . Options

Standard Valve Materials

Valve	Body	Bonnet	Stem	Tip
Carbon Steel	CS A105	CS A105	SS 304	SS 304
Stainless Steel	SS 316	SS 316	SS 316	SS 316
Monel	Monel	Monel	Monel	Monel

Note : Specifications and dimensions given in this product catalogue represents the state of engineering at the time of printing .
Modifications may take place and materials specified may be replaced by others without prior notice.