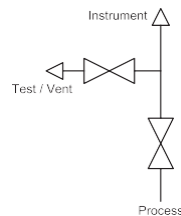
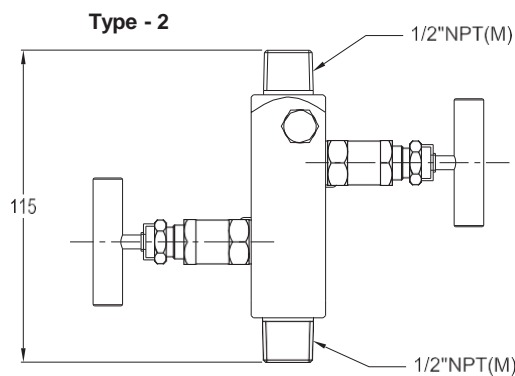
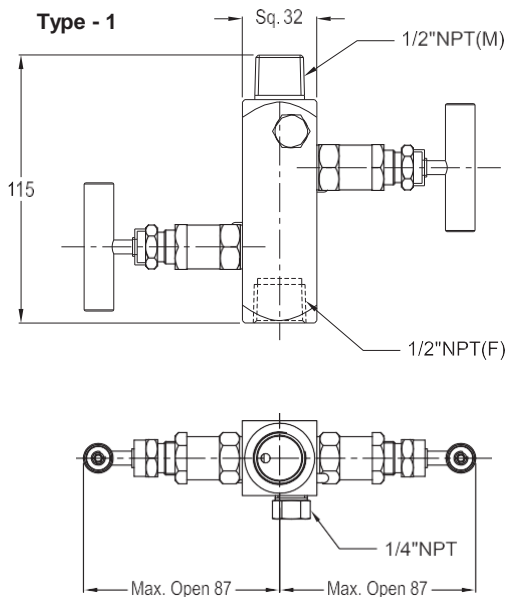




With the vent is positioned near the male instrument connection side.
With threaded vertical port female inlet and male outlet. The vent / test connection is positioned near the male instrument connection side.

Standard Connection

Product	Type	Process side	Instrument side	Vent/Test
2VTF	1	1/2" NPT (F)	1/2" NPT (M)	1/4" NPT female with screw plug
2VTF	2	1/2" NPT (M)	1/2" NPT (M)	1/4" NPT female with screw plug



Note : 10000 psi rating valve on request. Ask for price and drawings.

Notes : • Drawings are not to scale. • All Dimensions are in mm.

Specifications - Standard Version

Body	: SS 316
Stem	: SS 316
Valve assembly	: SS 316
'T' bar handle	: SS 304
Maximum working pressure	: 6000 PSI at 38°C
Maximum working temperature	: 240°C
Packing	: PTFE up to 240°C & Graphite up to 550°C
Type of stem	: Type CT; Stem with conical metal tip
Drain port	: 1/4" NPT [F]; provided with SS 316 plug

How To Order

Body Material	Stem Type	Stem Packing	Size = Inlet x Outlet	Connections	Threads
C = Carbon Steel	CT	P = PTFE	24 = 1/4" x 1/4"	FM = Female x Male	N = NPT (ANSI B 1.20.1)
S4 = SS 304	DS*	G = Grafoil	33 = 3/8" x 3/8"	MM = Male x Male	P = BSPP (BS 2779, ISO 228/1)
S = SS 316			44 = 1/2" x 1/2"	SW = Socket weld	B = BSPT (BS 21, ISO 7/1)
SL = SS 316L			66 = 3/4" x 3/4"		M = M20 x 1.5
S6 = SS 316/SS 316L (Dual)					
D = Duplex SS (2205)					
SD = Super Duplex SS (2507)					
M4 = Monel 400					
H = Hastelloy C					
I5 = Inconel 625					

*Type DS = Delrin soft needle tip rolled in to the needle

Option

TF	: Compliance to NACE standard
SG	: For Oxygen service, valves are supplied cleaned, degreased and suitably packed.
GH	: Material test certificate *
GO	: Hydro test certificate
D8	: 1/2" NPT (M) drain plug instead of 1/4" NPT (M)
T1	: "T" bar handle in SS 316
T2	: Working pressure of 10000 psi
PM	: PMI (On exposed wetted parts)
IG	: IGC Test (For wetted parts only)

*Material test certificates will be provided for wetted parts only with chemical composition testing. For others, please consult factory.

Example

To place an order simply refer to the codes in the table.

Valve Type : Body Material + Stem Type + Stem Packing + Size + Connections + Threads + Options

2VTF + S + CT + P + 44 + FF + N = 2VTF . S . CT . P . 44 . FF . N . Options

NOTE:

- The weld prepared types are available with female plain end - suitable for socket weld.
- Anti-tamper bonnet - special design on request with locking arrangement if desired.