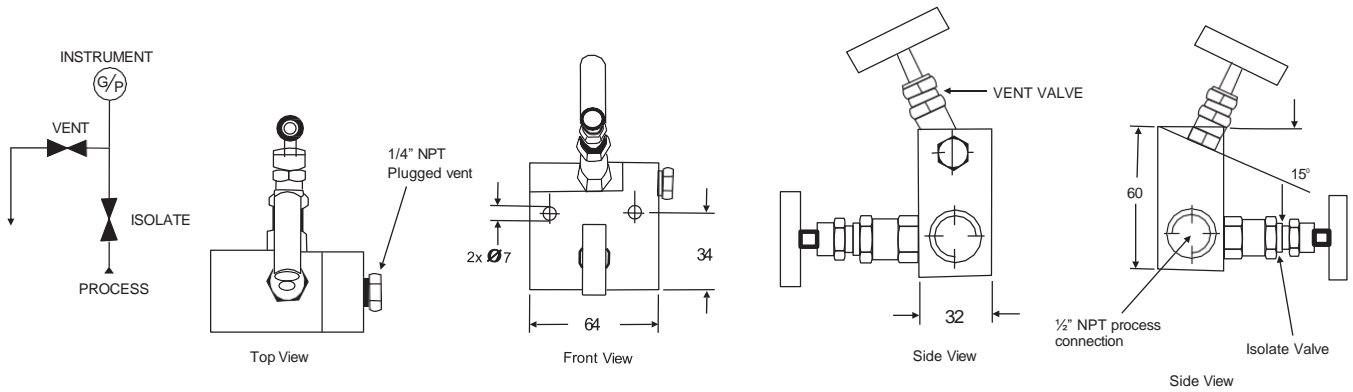




With threaded horizontal port inlet and outlet and vent/test connection on the right hand side. The venting bonnet is positioned angular on the top and the isolating bonnet on the front.

Standard Connection

Product	Process side	Instrument side	Vent/Test
2VA	1/2" NPT female	1/2" NPT female	1/4" NPT female



Notes : • Drawings are not to scale. • All Dimensions are in mm.

Specifications - Standard Version

Body	: SS 316
Stem	: SS 316
Valve assembly	: SS 316
'T' bar handle	: SS 304
Maximum working pressure	: 6000 PSI
Maximum working temperature	: 240°C
Packing	: PTFE
Type of stem	: Type CT; Stem with conical metal tip
Drain port	: 1/4" NPT [F]; provided with SS 316 plug

How To Order

Body Material	Stem Type	Stem Packing	Size = Inlet x Outlet	Connections	Threads
C = Carbon Steel	CT	P = PTFE	24 = 1/4" x 1/4"		N = NPT (ANSI B 1.20.1)
C = SS 316	DS	G = Grafoil	33 = 3/8" x 3/8"	FF = Female x Female	P = BSPP (BS 2779, ISO 228/1)
S4 = SS 304			44 = 1/2" x 1/2"	SW = Socket weld	B = BSPT (BS 21, ISO 7/1)
SL = SS 316L			66 = 3/4" x 1/2"-3/4"		
M4 = Monel 400					
M5 = Monel 500					
H = Hastelloy C					

Option

TF : Compliance to NACE standard
SG : For Oxygen service, valves are supplied cleaned, degreased and suitably packed.
GH : Material test certificate*
GO : Hydro test certificate

* Material test certificate will be provided for wetted parts only with chemical composition testing. For others, please consult factory.

Example

To place an order simply refer to the codes in the table.

Valve Type : Body Material + Stem Type + Stem Packing + Size Connections + Threads + Options
 2VA + S + CT + P + 44 FF + N = 2VA . S . CT . P . 44 . FF . N . Options

NOTE:

- The weld prepared types are available with female plain end - suitable for socket weld.
- Anti-tamper bonnet - special design on request with locking arrangement if desired.