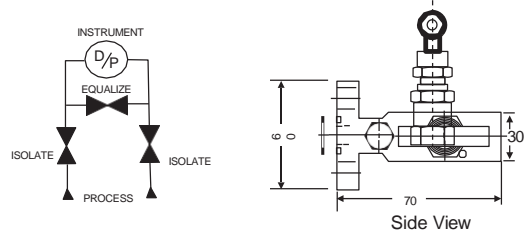




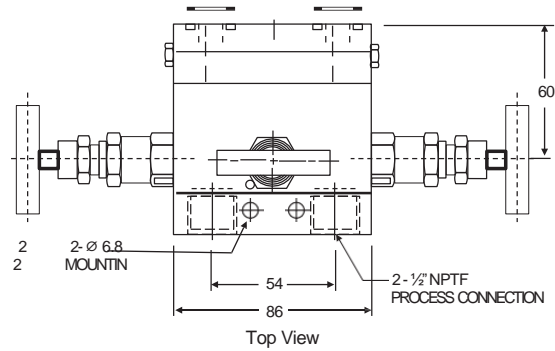
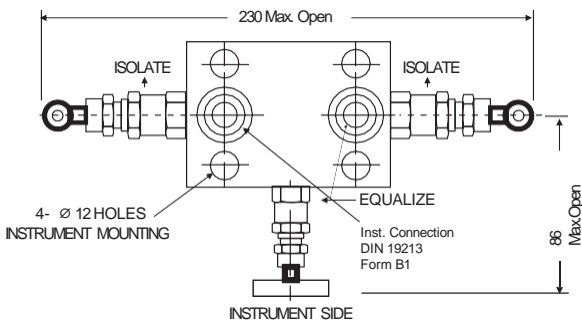
With threaded horizontal port inlets on the front side and Flange outlets on the back side. Two test connections positioned on the left and right hand side of the body. Two test connections positioned on the left and right hand side of the body. The isolating bonnets are positioned on the left and right hand side and the equalizing bonnet is positioned on the top.

Standard Connection

Product	Process side	Instrument side
3VQ	1/2" NPT female	Flange



Back View



Note: Optional with 1/4" NPT drain plug & drain plug with bleed available on request.

Notes : • Drawings are not to scale. • All Dimensions are in mm.

Specifications - Standard Version

Body	:	SS 316
Stem	:	SS 316
Valve assembly	:	SS 316
'T' bar handle	:	SS 304
Maximum working pressure	:	6000 PSI
Maximum working temperature	:	240°C
Packing	:	PTFE
Type of stem	:	Type CT; Stem with conical metal tip
Drain port	:	1/4" NPT [F]; provided with SS 316 plug
Bracket mounting holes	:	4 Nos. with 12 mm ID

How to order

Body Material	Stem Type	Stem Packing	Size = Inlet x Outlet	Connections	Threads
C = Carbon Steel	CT (std)	P P= PTFE (std)	4F= 1/2" x Flange	FD = Female x Flange (54mm)	N = NPT (ANSI B 1.20.1)
C = SS 316 (std)	DS	P P= Grafoil		SW = Socket Weld	P = BSPP (BS 2779, ISO 228/1)
S4 = SS 304					B = BSPT (BS 21, ISO 7/1)
SL = SS 316L					
M4 = Monel 400					
M5 = Monel 500					
H = Hastelloy C					

Options

TF	: Compliance to NACE standard
SG	: For Oxygen service, valves are supplied cleaned, degreased and suitably packed.
GH	: Material test certificate*
GO	: Hydro test certificate
PRF	: PTFE Ring For Flange Seal
GRF	: Grafoil Ring For Flange Seal
D4	: 1/4" NPT Drain Plug

* Material test certificate will be provided for wetted parts only with chemical composition testing. for others, please consult factory.

Example

To place an order simply refer to the codes in the table.

Valve Type : Body Material + Stem Type + Stem Packing + Size Connections + Threads + Options
 3VQ + S + CT + P + 4F + FD + N = 3VQ . S . CT . P . 4F . FD . N . Options

NOTE:

- The weld prepared types are available with female plain end - suitable for socket weld.
- Anti-tamper bonnet - special design on request with locking arrangement if desired.