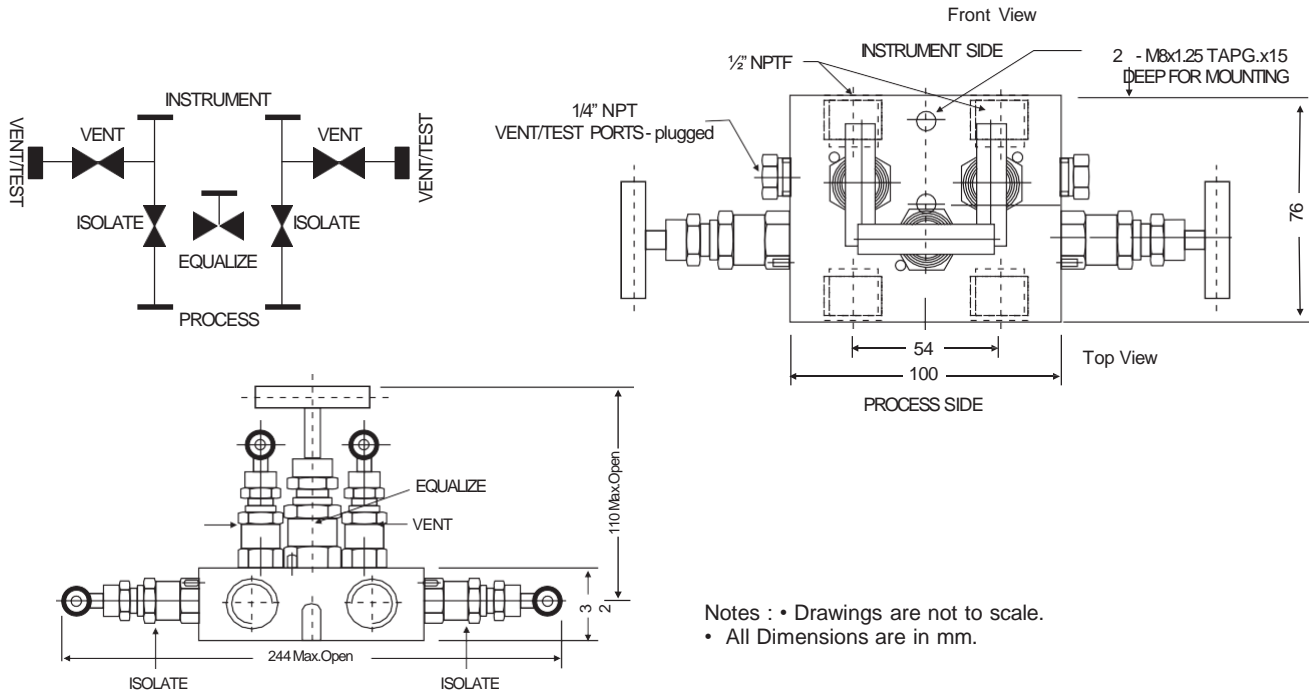




With threaded female ports on front side and back side for instrument and process connections. The two vent bonnets along with equalizing bonnet are positioned on the top side. The two isolation bonnets are positioned on left and right hand sides.

Standard Connection

Product	Process side	Instrument side	Vent/Test
5VR	1/2" NPT Female	1/2" NPT Female	1/4" NPT Female



Notes : • Drawings are not to scale.
• All Dimensions are in mm.

Specifications - Standard Version

Body	: SS 316
Stem	: SS 316
Valve assembly	: SS 316
"T" bar handle	: SS 304
Maximum working pressure	: 6000 psi
Maximum working temperature	: 240°C
Packing	: PTFE
Type of stem	: Type CT; Stem with conical metal tip
Drain port	: 1/4" NPT [F]; provided with SS 316 plug

How To Order

Body Material	Stem Type	Stem Packing	Size = Inlet x Outlet	Connections	Threads
C = Carbon Steel	CT	P = PTFE	44= 1/2" x 1/2" (std)	FF = Female x Female	N = NPT (ANSI B 1.20.1)
S = SS 316	DS	G = Grafoil	24= 1/4" x 1/4"		P = BSPP (BS 2779, ISO 228/1)
S4 = SS 304					B = BSPT (BS 21, ISO 7/1)
SL = SS 316L					
M4 = Monel 400					
M5 = Monel 500					
H = Hastelloy C					

Options

TF	:	Compliance to NACE standard MR-0175.
SG	:	For Oxygen service, valves are supplied cleaned, degreased and suitably packed.
GH	:	Material test certificate*
GO	:	Hydro test certificate

* Material test certificate will be provided for wetted parts only with chemical composition testing. for others, please consult factory.

Example

To place an order simply refer to the codes in the table.

Valve Type : Body Material + Stem Type + Stem Packing + Size + Connections + Threads + Options

5VR + S + CT + P + 44 + FF + N = 5VR . S . CT . P . 44 . FF . N . Options

Note :

- The weld prepared types are available with female plain end - suitable for socket weld.
- Anti-tamper bonnet - special design on request with locking arrangement if desired.