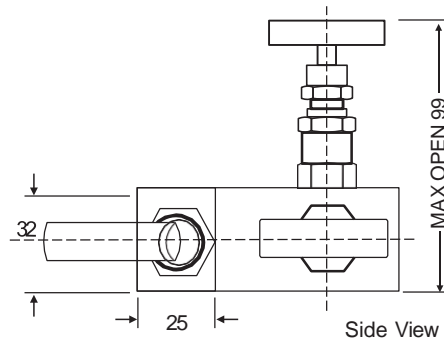
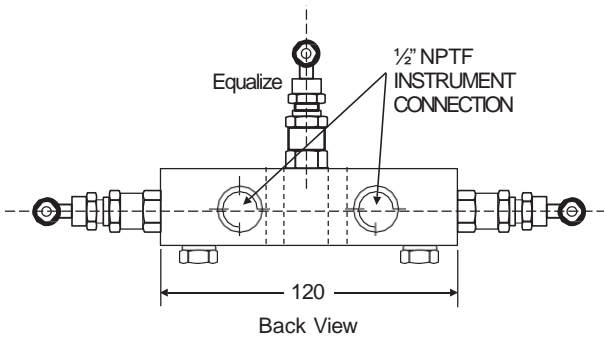
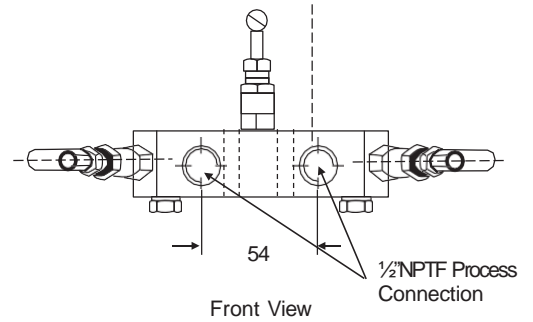
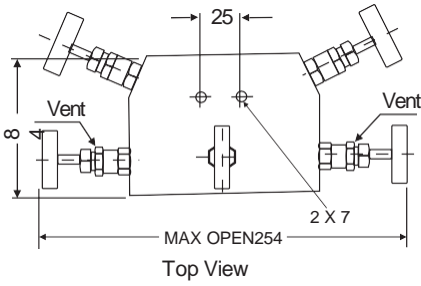
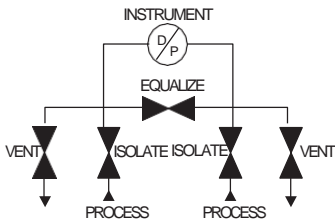




With threaded vertical port inlets and outlets. The isolating and venting bonnets are positioned on the left and right hand side and the equalizing bonnet is positioned on the front side. Designed for remote mounting.

Standard Connection

Product	Process side	Instrument side	Vent/Test
5VA	1/2" NPT female	1/2" NPT female	1/4" NPT Female



Notes : • Drawings are not to scale. • All Dimensions are in mm.

Specifications - Standard Version

Body	: SS 316
Stem	: SS 316
Valve assembly	: SS 316
"T" bar handle	: SS 304
Maximum working pressure	: 6000 psi
Maximum working temperature	: 240°C
Packing	: PTFE
Type of stem	: Type CT; Stem with conical metal tip
Drain port	: 1/4" NPT [F]; provided with SS 316 plug
Bracket mounting holes	: 2 Nos.

How To Order

Body Material	Stem Type	Stem Packing	Size = Inlet x Outlet	Connections	Threads
C = Carbon Steel	CT	P = PTFE	44= 1/2" x 1/2" (std)	FF = Female x Female	N = NPT (ANSI B 1.20.1)
S = SS 316	DS	G = Grafoil			P = BSPP (BS 2779, ISO 228/1)
S4 = SS 304					B = BSPT (BS 21, ISO 7/1)
SL = SS 316L					
M4 = Monel 400					
M5 = Monel 500					
H = Hastelloy C					

Options

- TF** : Compliance to NACE standard
- SG** : For Oxygen service, valves are supplied cleaned, degreased and suitably packed.
- GH** : Material test certificate*
- GO** : Hydro test certificate
- MB** : Mounting Bracket

* Material test certificate will be provided for wetted parts only with chemical composition testing. For others, please consult factory.

Example

To place an order simply refer to the codes in the table.

Valve Type : Body Material + Stem Type + Stem Packing + Size + Connections + Threads + Options

5VA + S + CT + P + 44 + FF + N = 5VA . S . CT . P . 44 . FF . N . Options

Note :

- The weld prepared types are available with female plain end - suitable for socket weld.
- Anti-tamper bonnet - special design on request with locking arrangement if desired.