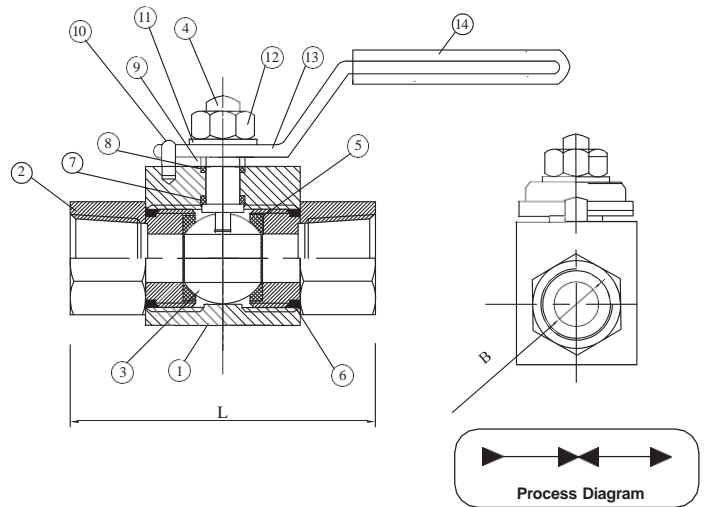




Ball valves are used in situations where tight shut-off is required. They are wide duty valves, able to transfer gases, liquids and slurries. Ball valves are commonly found in flowing systems on ships, fire safe protection services. They are not recommended for use in pharmaceutical, bio-processing or food and beverages applications because they cannot be cleaned easily.

Technical Specifications - Standard Version

Pressure Rating	: 3000 psi
Connection	: Threaded, 1/2" NPT (F)
Material	: SS 316
Material Stem Packing	: Graphite
Type of construction	: 2 piece body
Type of operation	: Lever operated
Type of Seal	: Soft
Max. Temp.	: 150°C
Stem & Ball Material	: SS 316
Standard followed	: ASME B16.11
Type of bore	: Full bore
Type of closure member	: Floating Ball



MATERIAL OF CONSTRUCTION

Sr.No	DESCRIPTION	MATERIAL	QTY.
1	BODY	SS 316	1
2	CONNECTIONS	SS 316	2
3	BALL	SS 316	1
4	STEM	SS 316	1
5	SEATS	DELRIN/PEEK	2
6	JOINT SEAL	VITON	2
7	GLAND SEALS	P.T.F.E.	1
8	BACK UP SEAL	P.T.F.E.	1
9	RETAINER	SS 304	1
10	STOP PIN	SS 304	1
11	WASHER	CS PLATED	1
12	STEM NUT	CS PLATED	1
13	HANDLE	CS PLATED/SS	1
14	SLEEVE	P.V.C.	1

INLET	OUTLET	Test Pressure 3000 / 6000 PSI		Test Pressure 10000 PSI	
		L	B	L	B
1/4"NPT(F)	1/4"NPT(F)	58	6.4	65	6.4
3/8"NPT(F)	3/8"NPT(F)	60	8.5	68	8.5
1/2"NPT(F)	1/2"NPT(F)	75	11.5	80	11.5
3/4"NPT(F)	3/4"NPT(F)	80	19	85	19
1"NPT(F)	1"NPT(F)	87	25	95	25
1 1/4"NPT(F)	1 1/4"NPT(F)	112	32	125	32
1 1/2"NPT(F)	1 1/2"NPT(F)	120	38	135	38
2"NPT(F)	2"NPT(F)	130	50	150	50

NOTE:

- 1) Above dimensions are for reference only.
- 2) The stem and ball material will be similar to body material.

Optional : BV 10 - High pressure Ball valves for 10,000 psi pressure

How To Order

Body Material	Stem Packing	Size = P x P1	Connections (inlet x outlet)	Threads
C = Carbon Steel	P = PTFE	22 = 1/8" x 1/8"	FF = Female x Female	N = NPT (ANSI B 1.20.1)
S = SS 316 (Std)	G = Grafoil	24 = 1/4" x 1/4"	MF = Male x Female	P = BSPP (BS 2779, ISO 228/1)
S4 = SS 304		33 = 3/8" x 3/8"	MM = Male x Male	B = BSPT (BS 21, ISO 7/1)
SL = SS 316L		44 = 1/2" x 1/2"	SW = Socket Weld	
M4 = Monel 400		66 = 3/4" x 3/4"		
M5 = Monel 500		88 = 1" x 1"		
H = Hastelloy C				
B = Brass				
IC = Inconel 625				

Options	
TF	: Compliance to NACE standard
GH	: Material test certificate
GO	: Hydro test certificate
RB	: Round body (Low pressure below 3000 psi)
SB	: Square body (High pressure above 3000 psi)

Example

To place an order simply refer to the codes in the table.

Valve Type	:	Body Material	+	Stem Packing	+	Size	+	Connections	+	Threads	+	Options
BV4	:	S	+	P	+	44	+	FF	+	N	=	BV4 . S . P . 44 . FF . N . Options

Note : Specifications and dimensions given in this product catalogue represents the state of engineering at the time of printing .
Modifications may take place and materials specified may be replaced by others without prior notice.