



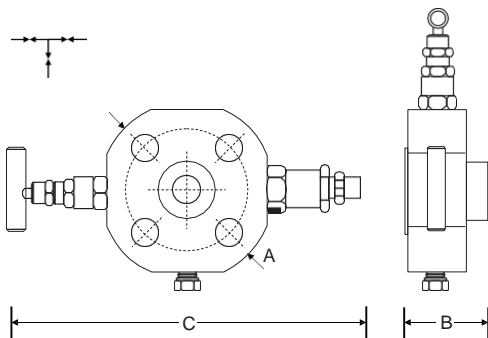
Monoflange Single Block & Bleed Valve with needle type pattern valve with non rotating spindle tip for positive bubble tight shut off function. Inlet Flange, outlet NPT or BSP rotatable. Vent/test connection NPT female, isolating bonnet on right and venting bonnet at left - instrument connection on top or side.

Standard Connection

- Dimensions in mm.
- Monoflange Valves offer a compact alternative to traditional multi-valve assemblies, reducing weight, cost and the number of potential leak paths.
- PTFE or Graphoil Stem Seal.
- Outlet/Drain Screwed NPT, BSPP, BSPT.
- Inlet Flanged RF or RTJ.
- Material available : SS304, SS316, Carbon Steel, Monel 400, Monel 500
- Other materials on request.

Monoflange single block and bleed valve (Flanged X Screwed)

SIZE	150LB			300LB			600LB			900/1500LB			2500LB		
	A	B	C	A	B	C	A	B	C	A	B	C	A	B	C
1/2	95	45	140	95	45	140	95	50	140	121	50	166	133	50	178
3/4	98	45	140	117	45	162	117	50	162	130	50	175	140	50	185
1	108	45	153	124	45	169	124	50	169	149	50	194	159	50	204
1.1/2	127	50	172	156	50	201	156	55	201	178	55	223	203	55	248
2	152	50	197	165	50	210	165	60	210	216	60	261	235	60	280



Notes : • Drawings are not to scale. • All Dimensions are in mm.
For Further details please contact factory