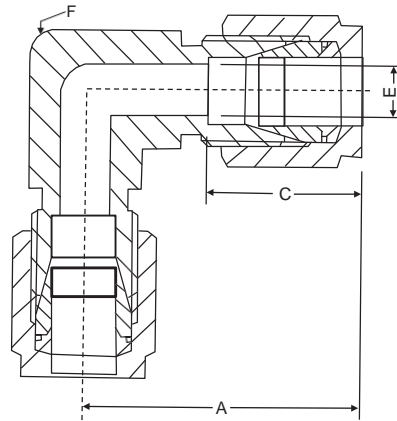




Dimensional Details :



Notes : Drawings are not to scale

Dimensional Details

Dimension, in.

| Tube OD | Part Number | A | C | E | F |
|---------|----------------|------|------|------|--------|
| 1/8 | S2EU2 | 0.88 | 0.50 | 0.09 | 3/8 |
| 1/4 | S4EU4 | 1.06 | 0.60 | 0.19 | 1/2 |
| 3/8 | S6EU6 | 1.20 | 0.66 | 0.28 | 5/8 |
| 1/2 | S8EU8 | 1.42 | 0.90 | 0.41 | 13/16 |
| 5/8 | S10EU10 | 1.50 | 0.96 | 0.50 | 15/16 |
| 3/4 | S12EU12 | 1.57 | 0.96 | 0.62 | 1 1/16 |
| 7/8 | S14EU14 | 1.76 | 1.02 | 0.72 | 1 3/8 |
| 1 | S16EU16 | 1.93 | 1.23 | 0.88 | 1 3/8 |

Dimension, mm.

| Tube OD | Part Number | A | C | E | F |
|---------|---------------|------|------|------|--------|
| 6 | SM6EU | 27.0 | 15.3 | 4.8 | 1/2 |
| 8 | SM6EU | 28.8 | 16.2 | 6.4 | 9/16 |
| 10 | SM10EU | 31.5 | 17.2 | 7.9 | 11/16 |
| 12 | SM12EU | 36.0 | 22.8 | 9.5 | 13/16 |
| 16 | SM16EU | 38.0 | 24.4 | 12.7 | 15/16 |
| 18 | SM18EU | 39.8 | 24.4 | 15.1 | 1 1/16 |
| 20 | SM20EU | 44.6 | 26.0 | 15.9 | 1 3/8 |
| 25 | SM25EU | 49.1 | 31.3 | 21.8 | 1 3/8 |

Dimensions and specifications shown are approximate, may vary from time to time.

Note : A and C dimensions are typical finger-tight