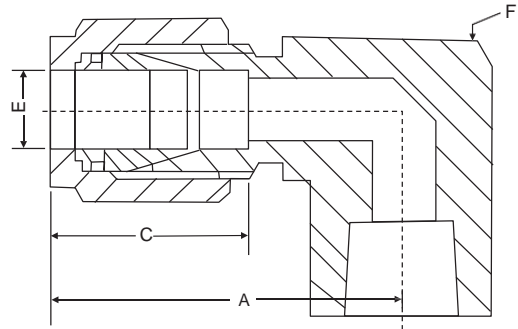




**Dimensional Details :**



**Notes :** Drawings are not to scale

**Dimensional Details :**

**Dimension, in.**

Tube OD	NPT Female Thread Size	Part Number	A	C	E	F
1/8	1/8	<b>S2FE2N</b>	0.97	0.50	0.09	1/2
1/8	1/4	<b>S2FE4N</b>	1.08	0.50	0.09	11/16
1/4	1/8	<b>S4FE2N</b>	1.06	0.60	0.19	1/2
1/4	1/4	<b>S4FE4N</b>	1.17	0.60	0.19	11/16
1/4	3/8	<b>S4FE6N</b>	1.25	0.60	0.19	13/16
1/4	1/2	<b>S4FE8N</b>	1.36	0.60	0.19	1
3/8	1/4	<b>S6FE4N</b>	1.23	0.66	0.28	11/16
3/8	3/8	<b>S6FE8N</b>	1.31	0.60	0.19	1
1/2	1/4	<b>S8FE4N</b>	1.42	0.90	0.41	13/16
1/2	3/8	<b>S8FE6N</b>	1.42	0.90	0.41	13/16
1/2	1/2	<b>S8FE8N</b>	1.53	0.90	0.41	1
		<b>S12FE8N</b>	1.57	0.96	0.62	1 1/16
3/4	1/2	<b>S12FE12N</b>	1.76	0.96	0.62	1 3/8
3/4	3/4					
1	3/4	<b>S16FE12N</b>	1.93	1.23	0.88	1 3/8
1	1	<b>S16FE16N</b>	2.11	1.23	0.88	1 11/16

**Dimension, mm.**

Tube OD	NPT Female Thread Size	Part Number	A	C	E	F in
6	1/8	<b>SM6FE2N</b>	27.0	15.3	4.8	1/2
6	1/4	<b>SM6FE4N</b>	29.8	15.3	4.8	11/16
6	1/2	<b>SM6FE8N</b>	34.6	15.3	4.8	1
8	1/4	<b>SM8FE4N</b>	30.6	16.2	6.4	11/16
10	1/8	<b>SM10FE2N</b>	31.5	17.2	7.9	11/16
10	1/4	<b>SM10FE4N</b>	33.5	17.2	7.9	13/16
12	1/4	<b>SM12FE4N</b>	36.0	22.8	9.5	13/16
12	1/2	<b>SM12FE8N</b>	38.8	22.8	9.5	1
16	1/2	<b>SM16FE8N</b>	39.5	24.4	12.7	1 1/16

Dimensions and specifications shown are approximate, may vary from time to time.

- Note :**
1. A and C dimensions are typical finger-tight
  2. Other Threading available on request

Note : Specifications and dimensions given in this product catalogue represents the state of engineering at the time of printing .  
 Modifications may take place and materials specified may be replaced by others without prior notice.