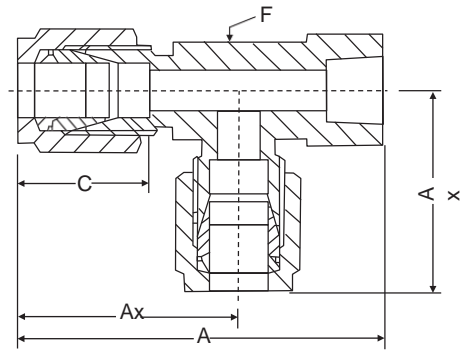




Dimensional Details :



Notes : Drawings are not to scale

Dimensional Details

Dimension, in.

Tube OD	NPT Female Thread Size	Part Number	A	Ax	C	E	F
1/8	1/8	S2TFR2N	1.72	0.97	0.50	0.09	1/2
1/4	1/8	S4TFR2N	1.81	1.06	0.60	0.19	1/2
1/4	1/4	S4TFR4N	2.05	1.17	0.60	0.19	11/16
3/8	1/4	S6TFR4N	2.11	1.23	0.66	0.28	11/16
1/2	3/8	S8TFR6N	2.30	1.42	0.90	0.41	13/16
1/2	1/2	S8TFR8N	2.69	1.57	0.90	0.41	1 1/16
3/4	3/4	S12TFR12N	3.01	1.76	0.96	0.62	1 3/8
1	3/4	S16TFR12N	3.18	1.93	1.23	0.88	1 3/8
1	1	S16TFR16N	3.61	2.11	1.23	0.88	1 11/16

Dimension, mm.

Tube OD	NPT Male Thread Size	Part Number	A	Ax	C	E	F
6	1/8	SM6TFR2N	46.0	27.0	15.3	4.8	1/2
6	1/4	SM6TFR4N	52.1	29.8	15.3	4.8	1/2
8	1/8	SM8TFR2N	48.9	29.9	16.2	6.4	5/8
8	1/4	SM8TFR4N	53.0	30.6	16.2	6.4	11/16
10	1/4	SM10TFR4N	55.9	33.5	17.2	7.9	13/16
12	1/4	SM12TFR4N	58.4	36.0	22.8	9.5	13/16
12	3/8	SM12TFR6N	58.4	36.0	22.8	10.3	13/16
16	1/2	SM16TFR8N	68.2	39.8	24.4	12.7	1 1/16

Dimensions and specifications shown are approximate, may vary from time to time.

Note : A and C dimensions are typical finger-tight