



**Special Features**

- Designed to reduce dampening effect of process fluid
- Working pressure up to 400 kg/cm<sup>2</sup>
- Working temperature up to 120 °C
- All stainless steel construction
- For corrosive environment & media

**Application**

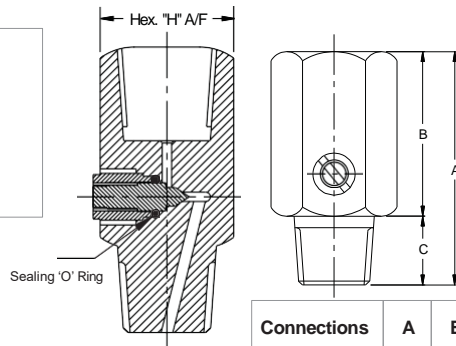
- This device can increase the service life of pressure instruments in critical conditions found at reciprocating
- Pumps
- Hydraulic machines
- Compressors
- Process plants
- Clean air,
- Non crystallized liquids

**Specifications**

**Standard Version**

|                             |   |                              |
|-----------------------------|---|------------------------------|
| Working Pressure            | : | Up to 400 kg/cm <sup>2</sup> |
| Working Temperature         | : | - 20 °C to 120 °C            |
| Instrument Connection       | : | ½" NPT (F)                   |
| Process Connection          | : | ½" NPT (M)                   |
| Body Material               | : | AISI 316 SS                  |
| Sealing 'O' Ring (Internal) | : | Viton                        |

**Dimensions - Standard Version**



Notes: Drawings are not to scale.  
All Dimensions are in mm.

| Connections | A  | B  | ØC | Hex. "H" A/F |
|-------------|----|----|----|--------------|
| 1/4" (MxF)  | 55 | 40 | 15 | 25.0         |
| 3/8" (MxF)  | 55 | 39 | 16 | 25.0         |
| 1/2" (MxF)  | 63 | 43 | 20 | 28.0         |

**How To Order**

**Basic Model**

**Code**

**Body**

|                                  |                        |                       |
|----------------------------------|------------------------|-----------------------|
| <b>CL</b> AISI 316 SS (Standard) | <b>CM</b> AISI 316L SS | <b>CQ</b> AISI 304 SS |
| <b>CN</b> Monel                  | <b>CP</b> Brass*       | <b>HA</b> Hastelloy C |

\* In case of wetted parts of Brass, max. pressure shall be 250 kg/cm<sup>2</sup>

**Connection**

|                                  |                                  |  |                                  |
|----------------------------------|----------------------------------|--|----------------------------------|
| <b>2BM.2BF</b> 1/4" BSP (M x F)  | <b>3BM.3BF</b> 3/8" BSP (M x F)  | <b>4BM.4BF</b> ½" BSP (M x F) (Standard) | <b>4MM.4MF</b> M20 x 1.5 (M x F) |
| <b>2NM.2NF</b> 1/4" NPT (M x F)  | <b>3NM.3NF</b> 3/8" NPT (M x F)  | <b>4NM.4NF</b> ½" NPT (M x F) (Standard) |                                  |
| <b>2TM.2TF</b> 1/4" BSPT (M x F) | <b>3TM.3TF</b> 3/8" BSPT (M x F) | <b>4TM.4TF</b> ½" BSPT (M x F)           |                                  |

Note : Connections like Metric/ PT/ PF/ Flaired/ UNF/ G/ R etc can be provided on request.

**Optional Extras**

|                          |                                       |  |
|--------------------------|---------------------------------------|--|
| <b>SG</b> Oxygen Service | <b>GH</b> Material Test Certificates* | <b>TF</b> Conformity as per NACE Standard (except option Code 'CP')# |
|--------------------------|---------------------------------------|--|

# For body material only.

\*Material test certificates will be provided for wetted parts only with chemical composition testing. For others, please consult factory.

**Ordering Example: EG . XX . XXX.XXX . XX**

For other optional items, please contact factory for delivery and minimum quantity of order.

Note : Specifications and dimensions given in this product catalogue represents the state of engineering at the time of printing.

Modifications may take place and materials specified may be replaced by others without prior notice.

**Example**

EG

XX

XXX.XXX

XX